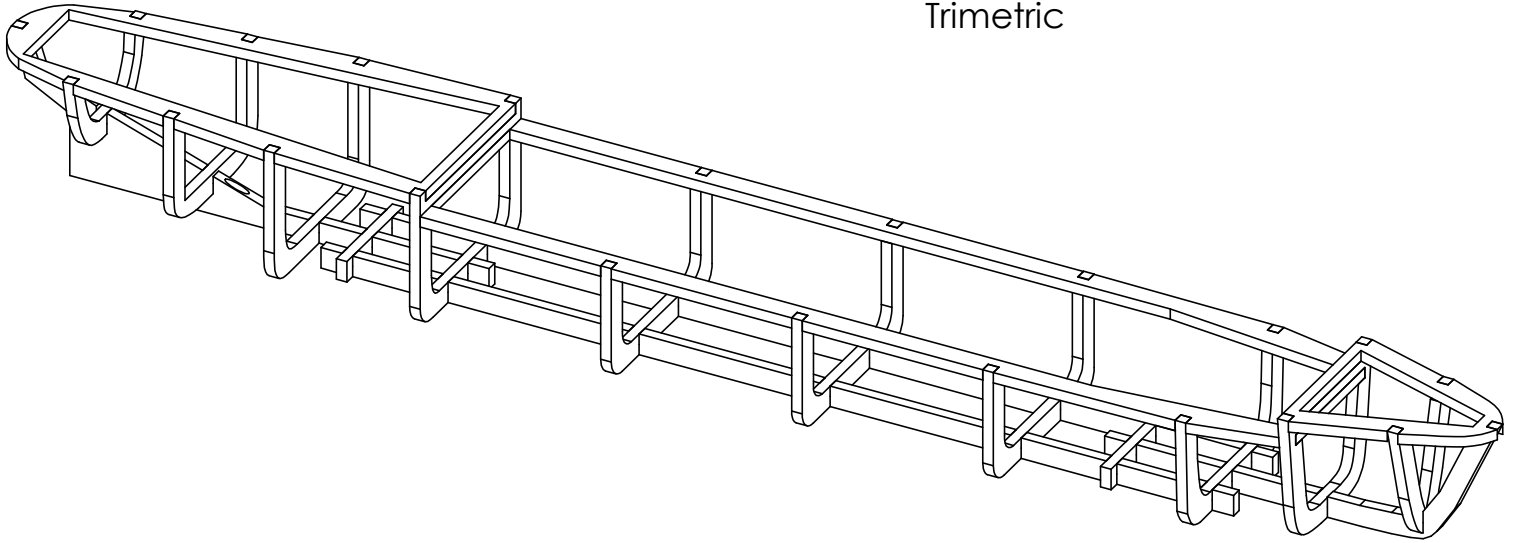
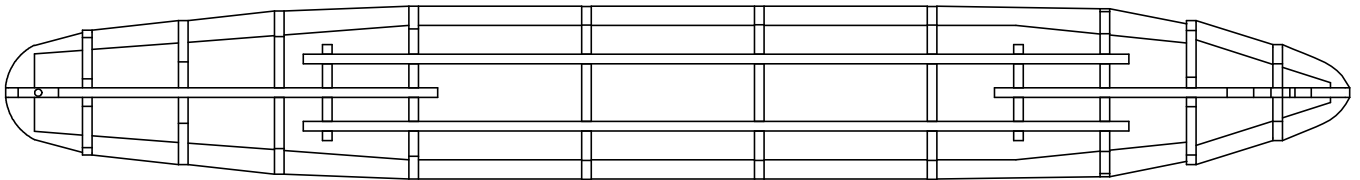


1:144 Japanese Oiler Mehoshi Maru

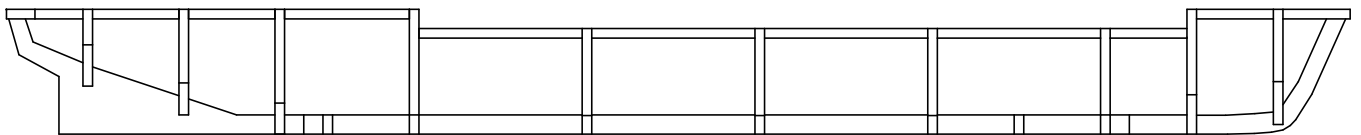
Trimetric



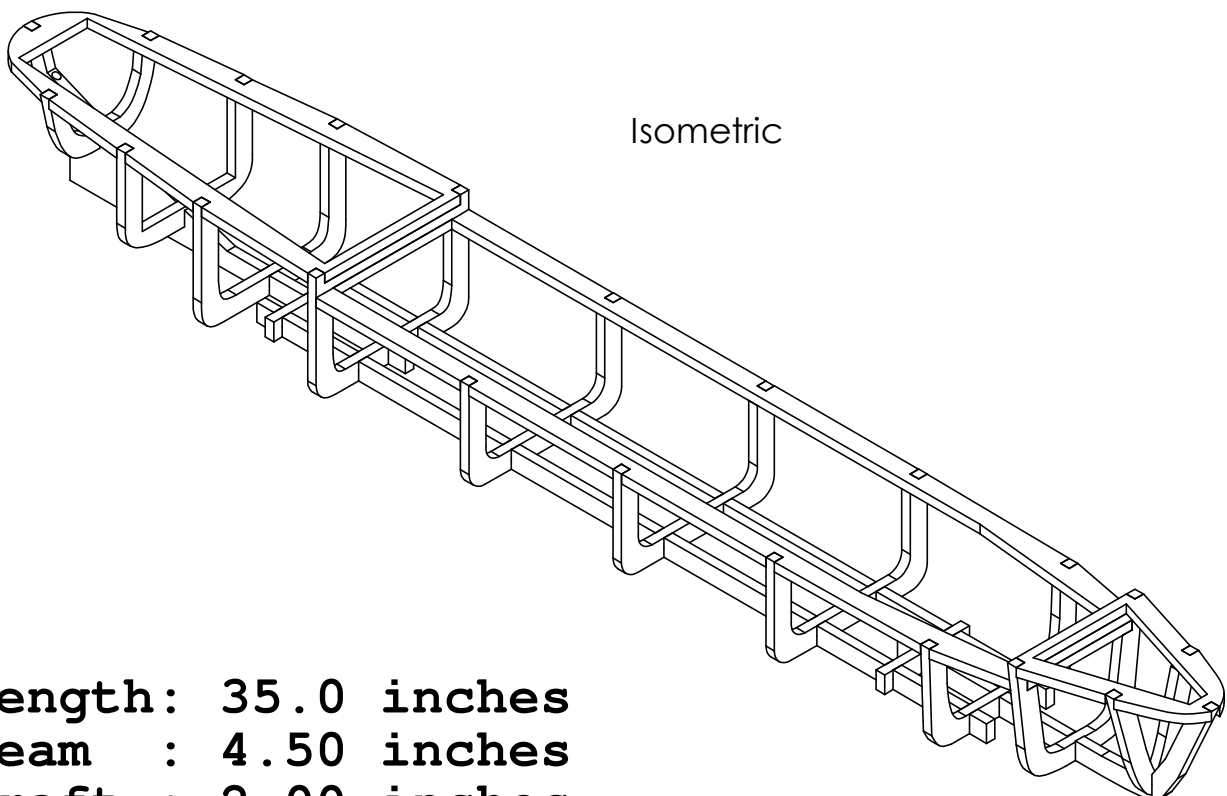
Bottom



Starboard



Isometric



Length: 35.0 inches
Beam : 4.50 inches
Draft : 2.00 inches